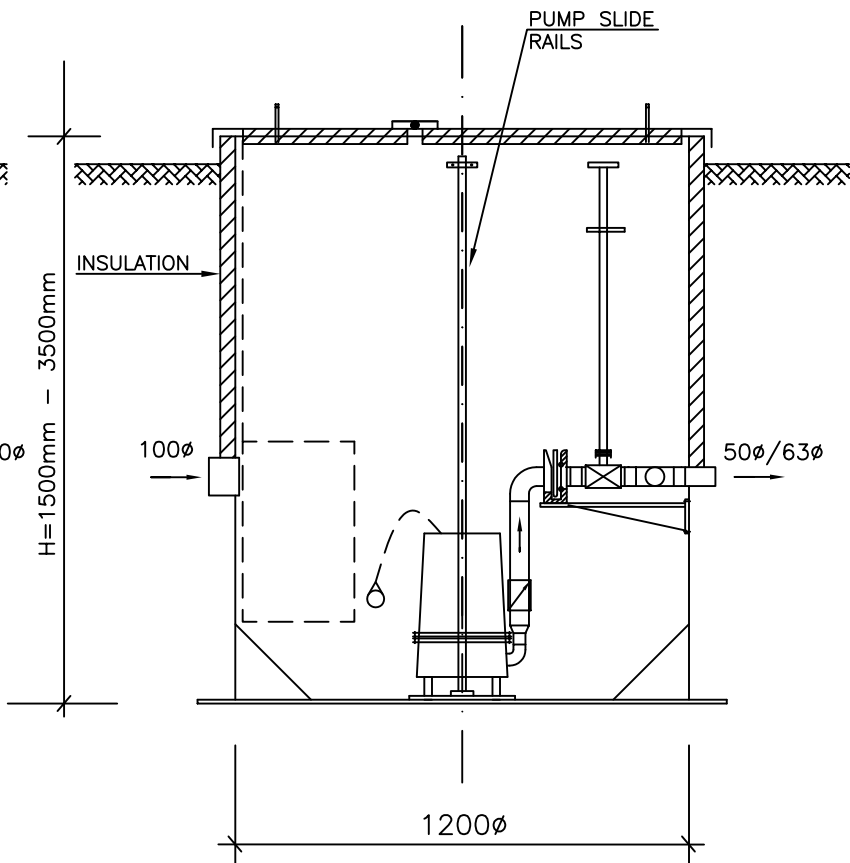
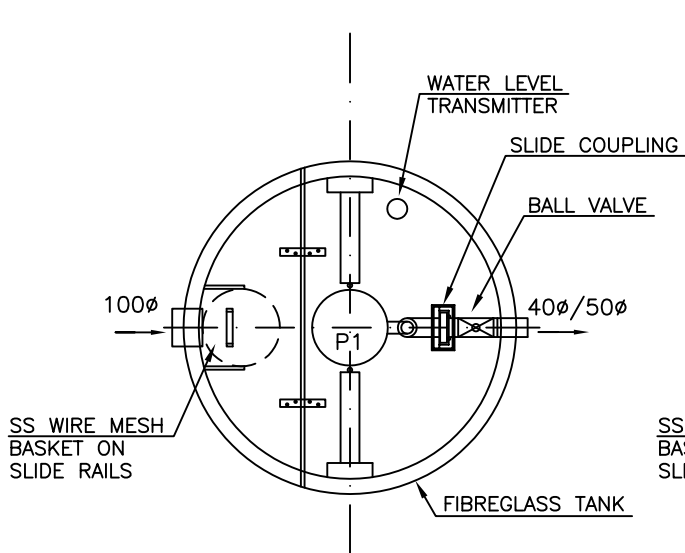


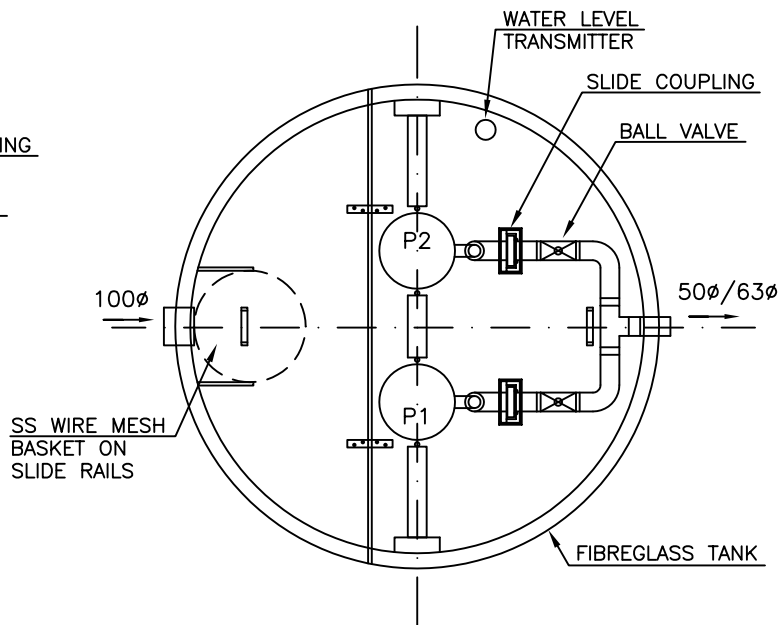
SECTION



SECTION



PLAN  
SIMPLEX GRINDER PUMP SYSTEM



PLAN  
DUPLEX GRINDER PUMP SYSTEM

SMALL RESIDENTIAL & COMMERCIAL  
WASTEWATER PUMPING SYSTEMS

